

DATASHEET

FEATURES:

- Multi-Source Package with Duplex LC Connector
- Up to 1.25Gb/s Data Links
- Multimode Fiber 850nm VCSEL
- Single +3.3V Power Supply
- Hot-Pluggable
- Compliant with Bellcore TA-NWT-000983
- Eye Safety Designed to Meet Laser Class1, Compliant with IEC60825-1
- Compliant with Specifications for IEEE802.3Z
- RoHS Compliant Products

APPLICATIONS:

- Gigabit Ethernet 1000Base SX
- 1x Fiber Channel
- Switch to Switch Interface
- Switched Backplane Applications
- Router/Server Interface
- Other Optical Links

SPECIFICATIONS:

Electrical and Optical Characteristics: (Condition: $T_a = T_{OP}$)

Parameter	Symbol	Min.	Typical	Max.	Unit
Transmitter Differential Input Volt	+/-TX_DAT	200		2400	mV p-p
Supply Current	I_{CC}		130	180	mA
Tx_Disable Input Voltage – Low	V_{IL}	0		0.8	V
Tx_Disable Input Voltage – High	V_{IH}	2.0		V_{CC}	V
Tx_Fault Output Voltage – Low	V_{OL}	0		0.8	V
Tx_Fault Output Voltage – High	V_{OH}	2.0		V_{CC}	V
Receiver Differential Output Volt	+/-RX_DAT	600		1400	mV p-p
Rx_LOS Output Voltage- Low	V_{OL}	0		0.8	V
Rx_LOS Output Voltage- High	V_{OH}	2.0		V_{CC}	V

Transmitter Section:

Parameter	Symbol	Min.	Typical	Max.	Unit
Data Rate	B	-	1.25	-	Gb/s
Centre Wavelength	λ_C	830	850	860	nm
Output Spectral Width	$\Delta\lambda$	-	-	0.85	nm
Average Output Power	P_o	-9.5	-	-4	dBm
Extinction Ratio	EXT	9	-	-	dB
Data Input Voltage-High	V_{IHS}	$V_{CC}-1.16$	-	$V_{CC}-0.89$	V
Data Input Voltage -Low	V_{ILS}	$V_{CC}-1.82$	-	$V_{CC}-1.48$	V
Supply Current	I_{CC}	-	90	130	mA
Output Optical Eye	Compliant with IEEE802.3Z				

Receiver Section:

Parameter	Symbol	Min.	Typical	Max.	Unit
Receive Sensitivity	P_{min}	-	-	-17	dBm
Maximum Input Power	P_{MAX}	-3	-	-	dBm
RX_LOS Assert Level	LOS A	-30	-	-	dBm
RX_LOS De Assert Level	LOS D	-	-	-18	dBm
Hysteresis	-	-	2.0	-	dBm
Output High Voltage	V_{OH}	$V_{CC}-1.03$	-	$V_{CC}-0.89$	V
Output Low Voltage	V_{OL}	$V_{CC}-1.82$	-	$V_{CC}-1.63$	V
Operating Wavelength	λ_C	770	-	860	nm
Supply Current	I_{CC}	-	80	110	mA

Absolute Maximum Ratings: ($T_C=25^\circ\text{C}$)

Parameter	Symbol	Min.	Max.	Unit
Storage Temperature	T_{ST}	-40	+85	$^\circ\text{C}$
Operating Temperature	T_{IP}	0	+70	$^\circ\text{C}$
Input Voltage	T_{CC}	0	+5	V

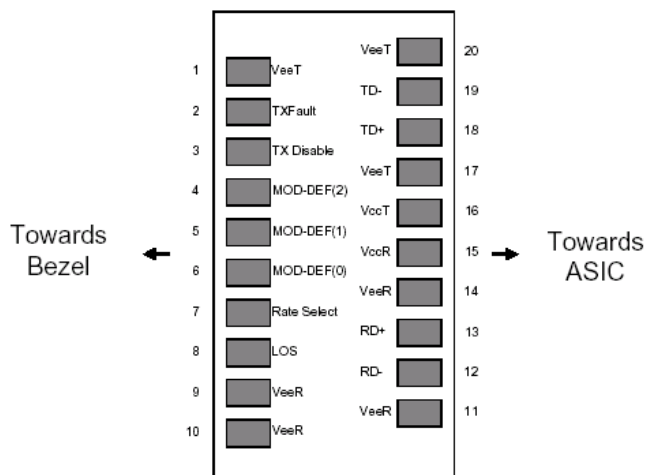
Recommended Operating Environment:

Parameter	Symbol	Min.	Typical	Max.	Unit
Supply Voltage	V _{CC}	+3.0	+3.3	+3.6	V
Operating Temperature	T _{OP}	0	-	+70	°C

Timing Characteristics:

Parameter	Symbol	Min.	Typical	Max.	Unit
TX_DISABLE Assert Time	t _{off}		3	10	usec
TX_DISABLE Negate Time	t _{on}		0.5	1	msec
Time to initialize include reset of TX_FAULT	t _{int}		30	300	msec
TX_FAULT from fault to assertion	t _{fault}		20	100	usec
TX_DISBEL time to start reset	t _{reset}	10			usec
Receiver Loss of Signal Assert Time (off to On)	T _{A,RX_LOS}			100	usec
Receiver Loss of Signal Assert Time (on to off)	T _{d,RX_LOS}			100	usec

Pin Assignment:



Pin out of Connector Block on Host Board



**1.25Gb/s Hot Pluggable, Duplex LC,
+3.3V, 850nm, VCSEL,
Multi-Mode SFP Optical Transceiver without DDMI
PSFP-24-3831M-12F**

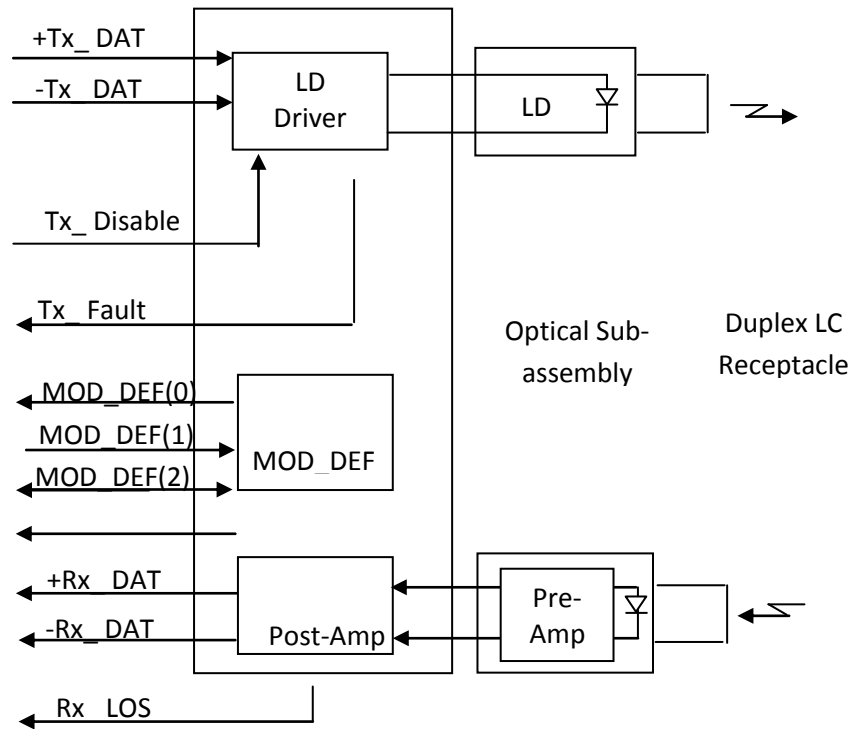
Pin Description:

Pin	Symbol	Name/Description	Ref.
1	V _{FET}	Transmitter Ground (Common with Receiver Ground)	1
2	T _{FAULT}	Transmitter Fault. Low normal operation, High Fault indication	
3	T _{DIS}	Transmitter Disable. Laser output disabled on high or open.	2
4	MOD_DEF(2)	Module Definition 2. Data line for Serial ID.	3
5	MOD_DEF(1)	Module Definition 1. Clock line for Serial ID.	3
6	MOD_DEF(0)	Module Definition 0. Grounded within the module.	3
7	Rate Select	No connection required	
8	LOS	Loss of Signal indication. Logic 0 indicates normal operation.	4
9	V _{EER}	Receiver Ground (Common with Transmitter Ground)	1
10	V _{EER}	Receiver Ground (Common with Transmitter Ground)	1
11	V _{EER}	Receiver Ground (Common with Transmitter Ground)	1
12	RD-	Receiver Inverted DATA out. AC Coupled	
13	RD+	Receiver Non-inverted DATA out. AC Coupled	
14	V _{EER}	Receiver Ground (Common with Transmitter Ground)	1
15	V _{CCR}	Receiver Power Supply	
16	V _{CCT}	Transmitter Power Supply	
17	V _{FET}	Transmitter Ground (Common with Receiver Ground)	1
18	TD+	Transmitter Non-Inverted DATA in. AC Coupled.	
19	TD-	Transmitter Inverted DATA in. AC Coupled.	
20	V _{FET}	Transmitter Ground (Common with Receiver Ground)	1

Notes:

1. Circuit ground is internally isolated from chassis ground.
2. Laser output disabled on TDIS >2.0V or open, enabled on TDIS <0.8V.
3. Should be pulled up with 4.7k – 10kohms on host board to a voltage between 2.0V and 3.6V. MOD_DEF(0) pulls line low to indicate module is plugged in.
4. LOS is open collector output. Should be pulled up with 4.7k – 10kohms on host board to a voltage between 2.0V and 3.6V. Logic 0 indicates normal operation; logic 1 indicates loss of signal.

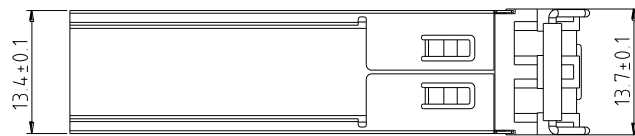
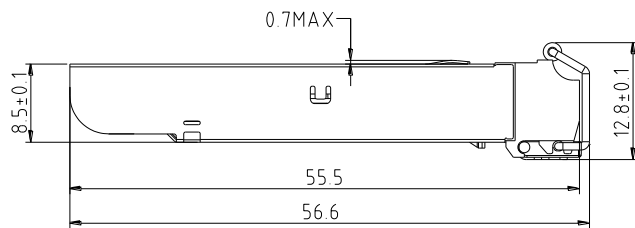
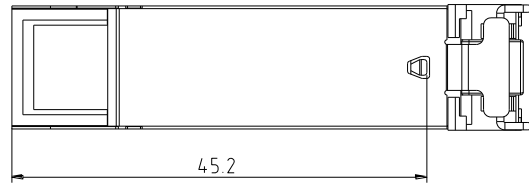
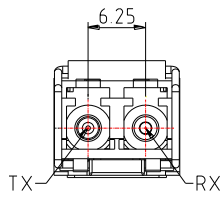
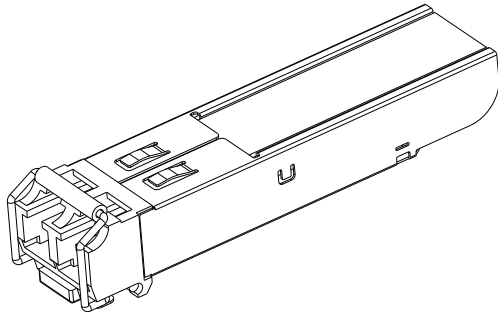
Block Diagram of Transceiver:



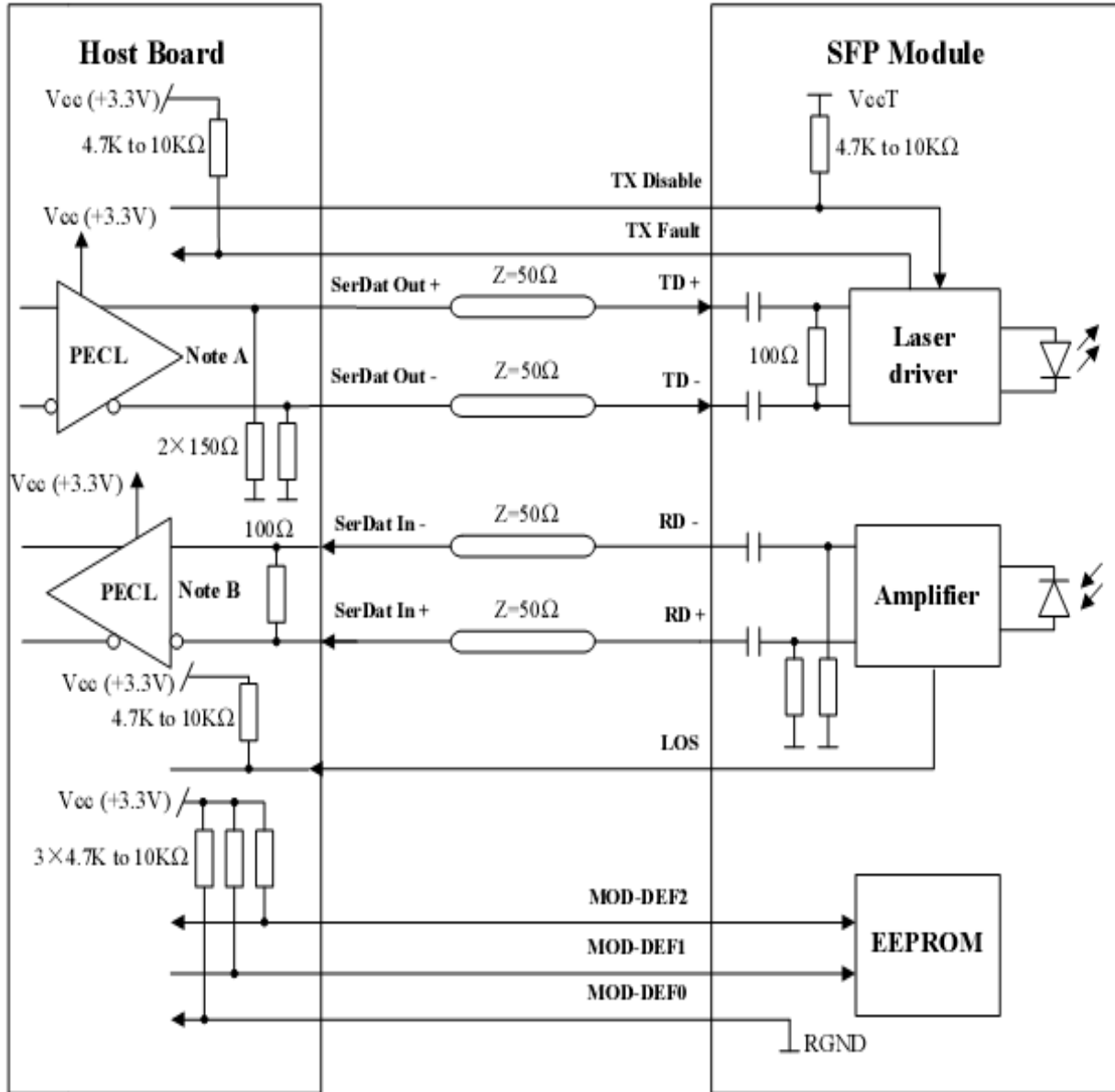
Serial ID Memory Contents:

Data Address	Length (Byte)	Name of Length	Description and Contents
Base ID Fields			
0	1	Identifier	Type of Serial transceiver (03h=SFP)
1	1	Reserved	Extended identifier of type serial transceiver (04h)
2	1	Connector	Code of optical connector type (07=LC)
3-10	8	Transceiver	Gigabit Ethernet 1000Base-SX & Fiber Channel
11	1	Encoding	NRZ (03h)
12	1	BR,Nominal	Nominal baud rate, unit of 100Mbps
13-14	2	Reserved	(0000h)
15	1	Length(9um)	Link length supported for 9/125um fiber, units of 100m
16	1	Length(50um)	Link length supported for 50/125um fiber, units of 10m
17	1	Length(62.5um)	Link length supported for 62.5/125um fiber, units of 10m
18	1	Length(Copper)	Link length supported for copper, units of meters
19	1	Reserved	
20-35	16	Vendor Name	SFP vendor name: PeakOptical®
36	1	Reserved	
37-39	3	Vendor OUI	SFP transceiver vendor OUI ID
40-55	16	Vendor PN	Part Number: "PSFP-xxxxxx" (ASCII)
56-59	4	Vendor rev	Revision level for part number
60-61	2	Wavelength	Laser wavelength
62	1	Reserved	
63	1	CCID	Least significant byte of sum of data in address 0-62
Extended ID Fields			
64-65	2	Option	Indicates which optical SFP signals are implemented (001Ah = LOS, TX_FAULT, TX_DISABLE all supported)
66	1	BR, max	Upper bit rate margin, units of %
67	1	BR, min	Lower bit rate margin, units of %
68-83	16	Vendor SN	Serial number (ASCII)
84-91	8	Date code	PeakOptical®'s Manufacturing date code
92-94	3	Reserved	
95	1	CCEX	Check code for the extended ID Fields (addresses 64 to 94)
Vendor Specific ID Fields			
96-127	32	Readable	PeakOptical® specific date, read only

Mechanical Dimensions:



Recommended Circuit:



Note A: Circuit assumes open emitter output

Note B: Circuit assumes high impedance internal bias @Vcc-1.3V