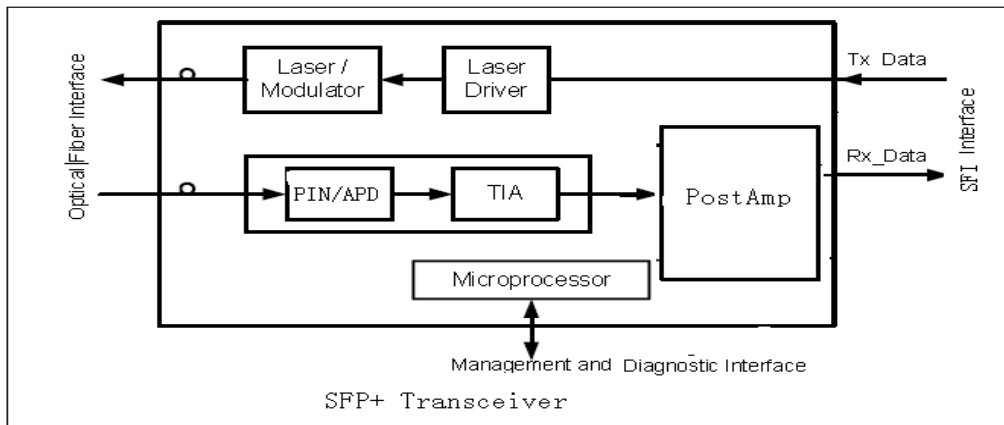


DATASHEET

DESCRIPTION:

PSFP-2C41SF-XX transceiver is a very compact 10Gb/s optical transceiver module for serial optical communication applications, supporting data-rate of 10.3125Gbps (10GBASE-LR) or 9.953Gbps (10GBASE-LW), and transmission distance up to 20km on SMF. The transceiver consists of two sections: The high performance CWDM DFB Laser Transmitter and high sensitivity PIN integrated with a TIA Receiver.

The module is hot pluggable into the 20-pin connector. The high-speed electrical interface is based on low voltage logic, with nominal 100 Ohms differential impedance and AC coupled in the module. The optical output can be disabled by LVTTTL logic high-level input of TX Disable. Loss of signal (RX_LOS) output is provided to indicate the loss of an input optical signal of receiver. The receiver RATE_SELECT pin is not used by the



FEATURES:

- Hot pluggable
- 10Gb/s serial optical interface
- 1270~1350nm CWDM DFB Laser and PIN receiver
- Up to 20km on 9/125um SMF
- SFP+ MSA package with duplex LC connector
- 2-wire interface for management and diagnostic monitor
- SFI High Speed Electrical Interface
- Very low EMI and excellent ESD protection
- +3.3V single power supply
- Power consumption less than 1.5W
- Operating case temperature: -5~+70°C

APPLICATIONS:

- 10G Base-LR/LW
- 10G Fiber Channel
- CWDM Network
- Other optical links

SPECIFICATIONS:

Absolute Maximum Ratings:

Parameter	Symbol	Min.	Typical	Max.	Unit
Storage Temperature	T_s	-40		+85	°C
Supply Voltage	$V_{CC,T,R}$	-0.5		4	V
Relative Humidity	RH	0		85	%

Recommended Operating Environment:

Parameter	Symbol	Min.	Typical	Max.	Unit
Case operating Temperature	T_c	-5		+70	°C
Supply Voltage	$V_{CC,T,R}$	+3.13	3.3	+3.47	V
Supply Current	I_{CC}		300	430	mA
Power Dissipation	PD			1.5	W

Electrical Characteristics: ($T_{OP} = 0$ to 70 °C, $V_{CC} = 3.13$ to 3.47 Volts)

Notes:

Parameter	Symbol	Min	Typ	Max	Unit	Note
Transmitter:						
Differential input voltage swing		120		1200	mVpp	1
Transmit Disable Input	H	V_{IH}	2.0	$V_{CC}+0.3$	V	
	L	V_{IL}	0	0.8	V	
Transmit Enable Output	H	V_{OH}	2.4	$V_{CC}+0.3$	V	
	L	V_{OL}	0	0.4	V	2
Input Differential Impedance	Z_{in}	80	100	120	Ω	
Receiver						
Differential output voltage swing		500		800	mVpp	3
LOS Output	H	V_{OH}	2.4	$V_{CC}+0.3$	V	2
	L	V_{OL}	0	0.4	V	
Output Differential Impedance	Z_{on}	80	100	120	Ω	

Note 1) TD+/- are internally AC coupled with 100 Ω differential termination inside the module.

Note 2) Tx Fault and Rx LOS are open collector outputs, which should be pulled up with 4.7k to 10k Ω resistors on the host board. Pull up voltage between 2.0V and $V_{CC}+0.3V$.

Note 3) RD+/- outputs are internally AC coupled, and should be terminated with 100 Ω (differential) at the user SERDES.

Optical Parameters: (TOP = 0 to 70 °C, VCC = 3.13 to 3.47 Volts)

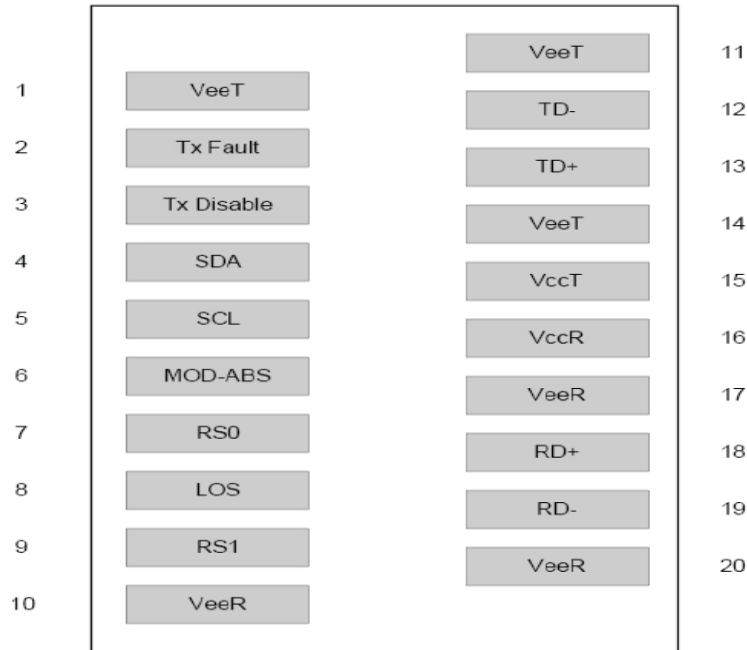
Notes:

Parameter	Symbol	Min	Typ	Max	Unit	Ref.
Transmitter						
Date Rate			10.3125		Gb/s	
Optical Wavelength	λ_c	$\lambda_c-5.5$	λ_c	$\lambda_c+7.5$	nm	
Average output power	Po	-1		+2	dBm	1
Optical Extinction Ratio	ER	3.5			dB	1
RMS spectral width	$\Delta\lambda$			1	nm	
Optical Modulation Amplitude	OMA	-5.2			dBm	
Side Mode Suppression Ratio	SMSR	30			dB	
Dispersion Penalty				3.2	dB	
Optical Eye Mask		IEEE802.3-2005 Compliant				
Receiver						
Date Rate			10.3125		Gb/s	
Optical Wavelength	λ	1200	1310	1600	nm	
Receiver Sensitivity	R			-14.5	dBm	2
Maximum Input Power	PMAX	0.5			dBm	
LOS De-Assert	LOSD			-15	dBm	
LOS Assert	LOSA	-32			dBm	
LOS Hysteresis		0.5		4	dB	
Receiver Reflectance				-14	dB	

Note 1) Measured at 10.3125b/s with PRBS $2^{31} - 1$ NRZ test pattern.

Note 2) Under the ER worst case, measured at 10.3125 Gb/s with PRBS $2^{31} - 1$ NRZ test pattern for BER < 1×10^{-12}

Pin Assignment:



Pin Function Definitions:

PIN #	Name	Function	Notes
1	VeeT	Module transmitter ground	Note1
2	Tx Fault	Module transmitter fault	Note 2
3	Tx Disable	Transmitter Disable; Turns off transmitter laser output	Note 3
4	SDL	2 wire serial interface data input/output (SDA)	
5	SCL	2 wire serial interface clock input (SCL)	
6	MOD-ABS	Module Absent, connect to VeeR or VeeT in the module	Note 2
7	RS0	Rate select0,optionally control SFP+ receiver. When high, input data rate >4.5Gb/s;when low, input data rate <=4.5Gb/s	
8	LOS	Receiver Loss of Signal Indication	Note4
9	RS1	Rate select0,optionally control SFP+ transmitter. When high, input data rate >4.5Gb/s;when low, input data rate <=4.5Gb/s	
10	VeeR	Module receiver ground	Note 1
11	VeeR	Module receiver ground	Note 1
12	RD-	Receiver inverted data out put	
13	RD+	Receiver non-inverted data out put	
14	VeeR	Module receiver ground	Note 1
15	VccR	Module receiver 3.3V supply	
16	VccT	Module transmitter 3.3V supply	
17	VeeT	Module transmitter ground	Note 1
18	TD+	Transmitter inverted data out put	
19	TD-	Transmitter non-inverted data out put	
20	VeeT	Module transmitter ground	Note1

10G SFP+ CWDM 20km Transceiver
Hot Pluggable, Duplex LC,
+3.3V, 1270~1350nm CWDM DFB, DDMI
PSFP-2C41SF-XX

- Note 1) The module ground pins shall be isolated from the module case.
- Note 2) This pin is an open collector/drain output pin and shall be pulled up with 4.7K-10Kohms to Host_Vcc on the host board.
- Note 3) This pin shall be pulled up with 4.7K-10Kohms to VccT in the module.
- Note 4) This pin is an open collector/drain output pin and shall be pulled up with 4.7K-10Kohms to Host_Vcc on the host board.

SFP+ Module EEPROM Information and Management:

The SFP+ modules implement the 2-wire serial communication protocol as defined in the SFP -8472. The serial ID information of the SFP modules and Digital Diagnostic Monitor parameters can be accessed through the I2C interface at address A0h and A2h. The memory is mapped in Table 1. Detailed ID information(A0h) is listed in Table 2. And the DDM specification at address A2h. For more details of the memory map and byte definitions, please refer to the SFF-8472, "Digital Diagnostic Monitoring Interface for Optical Transceivers". The DDM parameters have been internally calibrated.

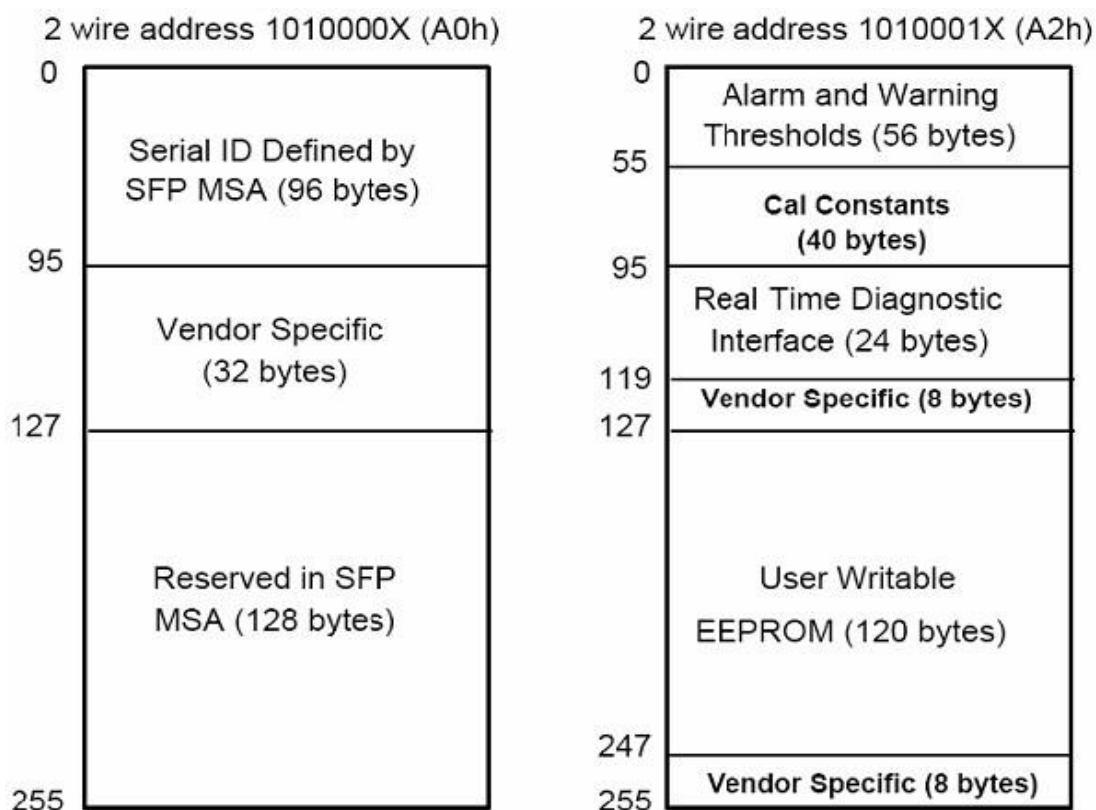


Table 2 - EEPROM Serial ID Memory Contents (A0h)

Data Address	Length (Byte)	Name of Length	Description and Contents
Base ID Fields			
0	1	Identifier	Type of Serial transceiver (03h=SFP)
1	1	Reserved	Extended identifier of type serial transceiver (04h)
2	1	Connector	Code of optical connector type (07=LC)
3-10	8	Transceiver	
11	1	Encoding	NRZ(03h)
12	1	BR,Nominal	Nominal baud rate, unit of 100Mbps
13-14	2	Reserved	(0000h)
15	1	Length(9um)	Link length supported for 9/125um fiber, units of 100m
16	1	Length(50um)	Link length supported for 50/125um fiber, units of 10m
17	1	Length(62.5um)	Link length supported for 62.5/125um fiber, units of 10m
18	1	Length(Copper)	Link length supported for copper, units of meters
19	1	Reserved	
20-35	16	Vendor Name	SFP vendor name: FTTX
36	1	Reserved	
37-39	3	Vendor OUI	SFP transceiver vendor OUI ID
40-55	16	Vendor PN	Part Number: PSFP-2C41SF-XX" (ASCII)
56-59	4	Vendor rev	Revision level for part number
60-62	3	Reserved	
63	1	CCID	Least significant byte of sum of data in address 0-62
Extended ID Fields			
64-65	2	Option	Indicates which optical SFP signals are implemented (001Ah = LOS, TX_FAULT, TX_DISABLE all supported)
66	1	BR, max	Upper bit rate margin, units of %
67	1	BR, min	Lower bit rate margin, units of %
68-83	16	Vendor SN	Serial number (ASCII)
84-91	8	Date code	FTTX's Manufacturing date code
92-94	3	Reserved	
95	1	CCEX	Check code for the extended ID Fields (addresses 64 to 94)
Vendor Specific ID Fields			
96-127	32	Readable	FTTX specific date, read only
128-255	128	Reserved	Reserved for SFF-8079

Digital Diagnostic Monitor Characteristics:

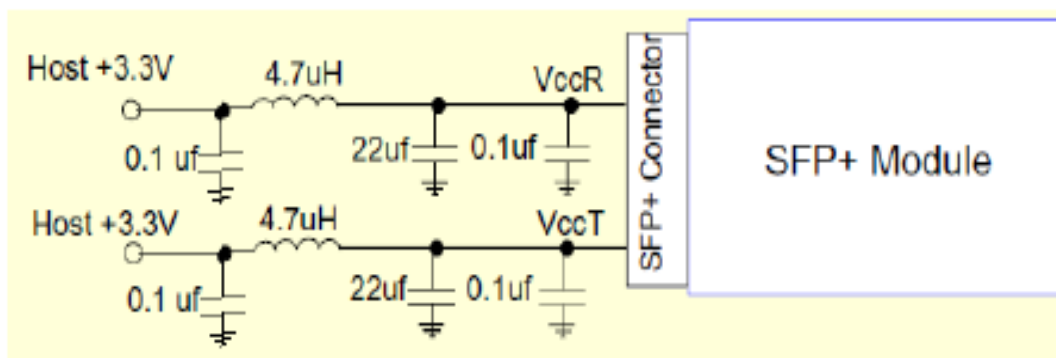
Data Address	Parameter	Range	Accuracy	Unit
96-97	Transceiver Internal Temperature	-10 to +80°C	±3.0	°C
100-101	Laser Bias Current	8 to 90mA	±10	%
100-101	Tx Output Power	-8.5 to +1dBm	±3.0	dBm
100-101	Rx Input Power	-15.5 to 0.5dBm	±3.0	dBm
100-101	VCC3 Internal Supply Voltage	+3.0V to +3.7V	±3.0	%

Regulatory Compliance:

The PSFP-2C41SF-XX complies with international Electromagnetic Compatibility (EMC) and international safety requirements and standards (see details in Table following).

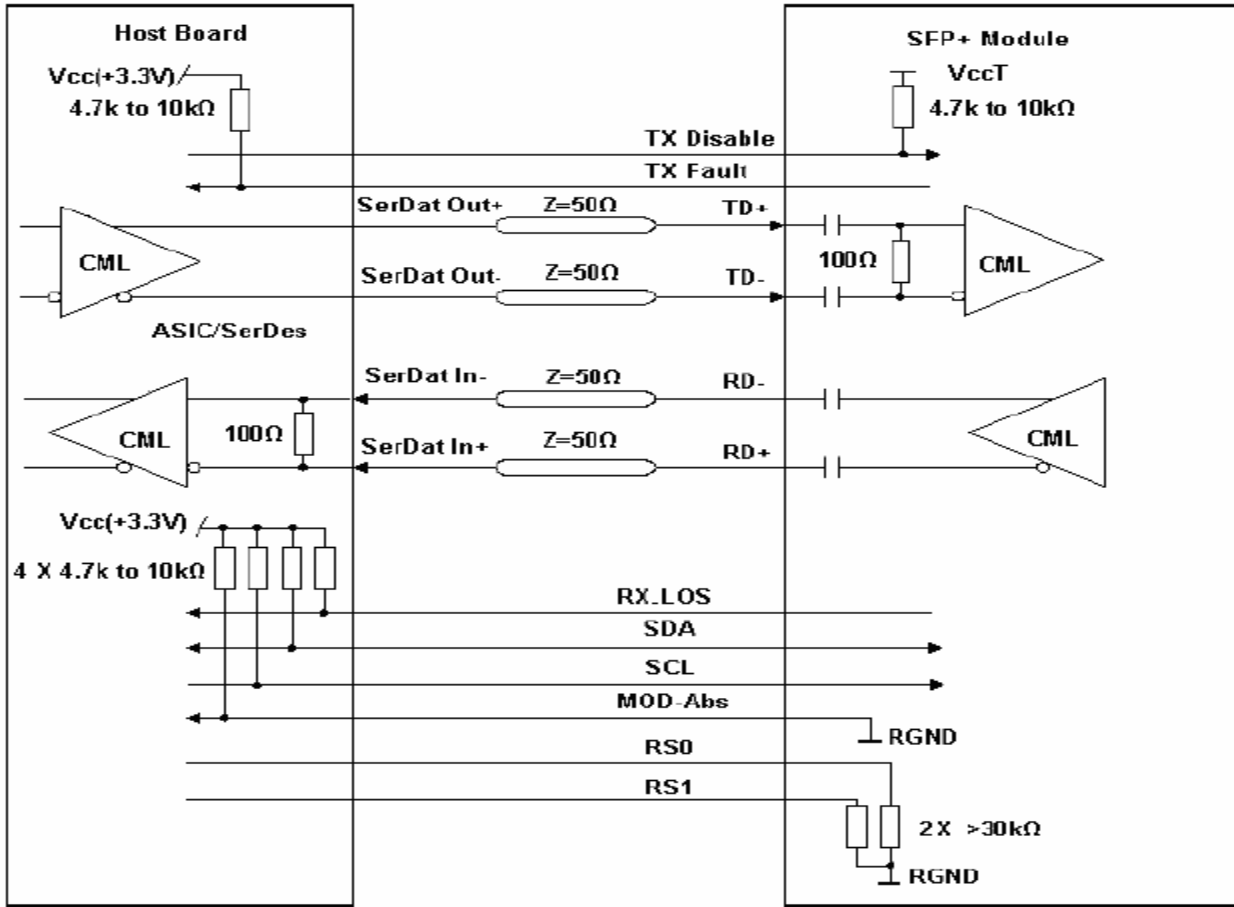
Electrostatic Discharge (ESD) to the Electrical Pins	MIL-STD-883E Method 3015.7	Class 1(>1000 V)
Electrostatic Discharge (ESD) to the Duplex LC Receptacle	IEC 61000-4-2 GR-1089-CORE	Compatible with standards
Electromagnetic Interference (EMI)	FCC Part 15 Class B EN55022 Class B (CISPR 22B) VCCI Class B	Compatible with standards
Laser Eye Safety	FDA 21CFR 1040.10 and 1040.11 EN60950, EN (IEC) 60825-1,2	Compatible with Class 1 laser product.

Recommended Circuit:



Recommended Host Board Power Supply Circuit

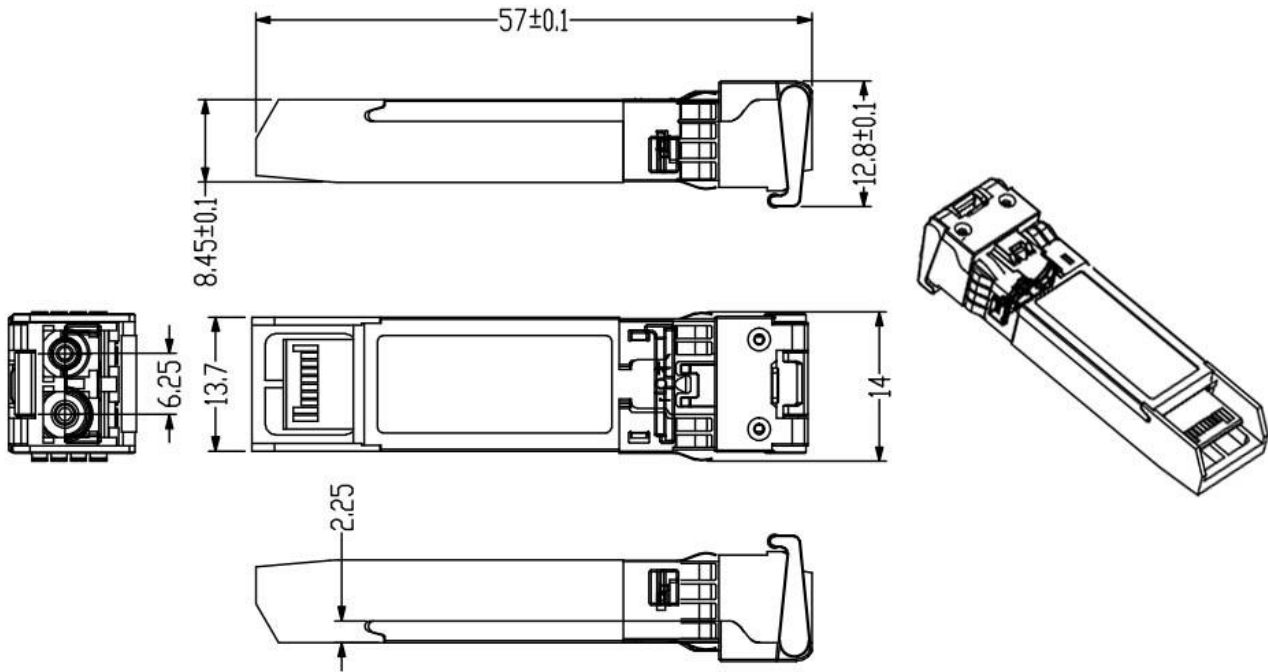
10G SFP+ CWDM 20km Transceiver
 Hot Pluggable, Duplex LC,
 +3.3V, 1270~1350nm CWDM DFB, DDMI
PSFP-2C41SF-XX



Recommended High-speed Interface Circuit

10G SFP+ CWDM 20km Transceiver
Hot Pluggable, Duplex LC,
+3.3V, 1270~1350nm CWDM DFB, DDMI
PSFP-2C41SF-XX

Mechanical Dimensions:



Order Information:

In the Part No. of **PSFP-2C41SF-XX**, xx stands for central wavelength, such as:

27: for 1270nm, **29:** for 1290nm, **31:** for 1310nm, **33:** for 1330nm, **35:** for 1350nm