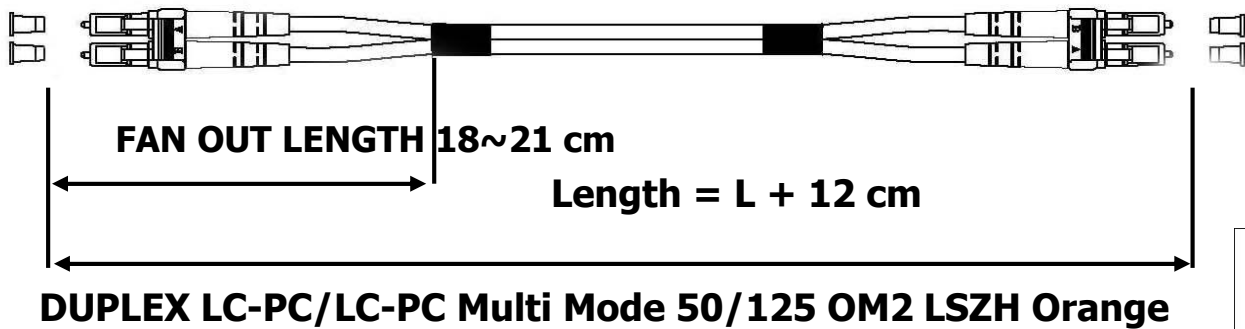


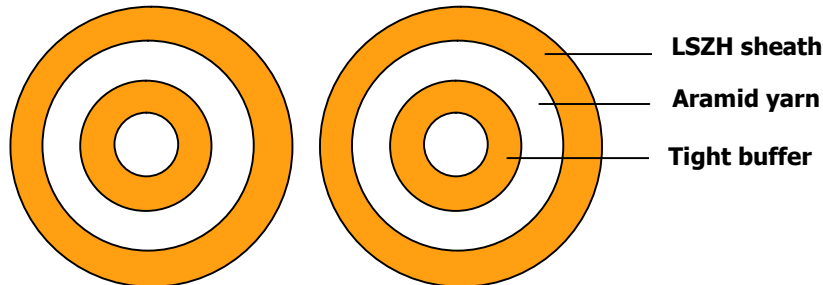
## DATASHEET

### SPECIFICATIONS:

\*Removal Type LC Clip



#### Cable Description



- Semi tight buffer fiber
- Flame-retardent jacket (LSZH) orange
- Small bending radius
- Temperature range:
  - During installation: -5°C up to + 50°C
  - During operation: -20°C up to + 60°C
  - During transport & storage: -25°C up to +70°C
- Fiber optic cable performance
- Number of fiber: 50/125um OM1
- Outside diameter: 3.0mm
- Semi tight buffer: 0.9mm
- Nominal weight: 6,7kg
- Bending radius: >25mm
- Allowable tensile: 200N

All rights reserved, including intellectual property rights. Technical data subject to modifications and delivery subject to availability. Any liability that the data and illustrations are complete, actual or correct is excluded. Designations may be trademarks and/or copyrights of the respective manufacturer, the use of which by third parties for their own purposes may infringe the rights of such owner.

- Crush resistant N/1000mm: 3000
- Measurement: Wavelength (SM-λ=1310nm & 1550nm, MM-λ 850nm)
- Product packing:
  - Zipper size – 230mm x 230mm
  - 1 pack – 1 patch cord
  - Label size – 90mm x 55mm

Optical Measurement	Single mode (UPC)	Multi mode (PC)
Insertion loss	<0.3dB	<0.3dB
Return loss	>50dB	