

## ***DATASHEET***

### ***DESCRIPTION:***

PeakOptical®'s PXFP-2321SF Small Form Factor 10Gb/s (XFP) transceivers are compliant with the current XFP Multi-Source Agreement (MSA) Specification. They comply with 10-Gigabit Ethernet 10GBASE-LR/LW per IEEE 802.3ae and 10G Fibre Channel 1200-SM-LL-L. Digital diagnostics functions are available via a 2-wire serial interface, as specified in the XFP MSA.

### ***FEATURES:***

- Supports 9.95Gb/s to 10.5Gb/s bit rates
- Hot-pluggable XFP footprint
- Maximum link length of 10km
- Uncooled 1310nm DFB laser.
- Duplex LC connector
- Power dissipation <2.5W
- No Reference Clock required
- Built-in digital diagnostic functions
- Temperature range -5°C to 70°C
- Very low EMI and excellent ESD protection
- RoHS Compliant Part

### ***APPLICATIONS:***

- 10GBASE-LR/LW 10G Ethernet
- 1200-SM-LL-L 10G Fibre Channel

## ***SPECIFICATIONS:***

### **Electrical Characteristics (Condition: $T_a = T_{OP}$ )**

<b>Parameter</b>	<b>Symbol</b>	<b>Min</b>	<b>Typical</b>	<b>Max</b>	<b>Unit</b>	<b>Note</b>	
Main Supply Voltage	Vcc5	4.75		5.25	V		
Supply Voltage #2	Vcc3	3.13		3.45	V		
Supply Current – Vcc5 supply	Icc5			250	mA		
Supply Current – Vcc3 supply	Icc3			500	mA		
Module total power	P			2.5	W		
<b>Transmitter</b>							
Input differential impedance	Rin		100		$\Omega$	1	
Differential data input swing	Vin,pp	120		820	mV		
Transmit Disable Voltage	VD	2.0		Vcc	V		
Transmit Enable Voltage	VEN	GND		GND+ 0.8	V		
Transmit Disable Assert Time				10	us		
<b>Receiver</b>							
Differential data output swing	Vout,pp	340	650	850	mV		
Data output rise time	tr			38	ps	2	
Data output fall time	tf			38	ps	2	
LOS Fault	VLOS fault	Vcc – 0.5		VccHOST	V	3	
LOS Normal	VLOS norm	GND		GND+0.5	V	3	
Power Supply Rejection	PSR	See Note 4 below					4

1. After internal AC coupling.

2. 20 – 80 %

3. Loss Of Signal is open collector to be pulled up with a 4.7k – 10kohm resistor to 3.15 – 3.6V. Logic 0 indicates normal operation; logic 1 indicates no signal detected.

4. Per Section 2.7.1. in the XFP MSA Specification.

**Optical Characteristics: (Condition: T<sub>a</sub>=T<sub>OP</sub>)**

Parameter	Symbol	Min	Typical	Max	Unit	Ref.	
<b>Transmitter</b>							
Operating Data Rate	B	9.9		10.5	Gb/s		
Bit Error Rate	BER			10 <sup>-12</sup>			
Optical Modulation Amplitude (OMA)	POMA	-6		0	dBm	1	
Maximum Launch Power	P <sub>MAX</sub>	-8.2		0.5	dBm	1	
Optical Wavelength	λ	1260		1355	nm		
Optical Extinction Ratio	ER	3.5			dB		
Sidemode Suppression ratio	SSR <sub>min</sub>	30			dB		
Rise/Fall Time (20%~80%)	Tr/Tf			50	ps		
Average Launch power of OFF Transmitter	POFF	-30			dBm		
Tx Jitter	T <sub>xj</sub>	Compliant with each standard requirements					
Optical Eye Mask		IEEE802.3ae					2
<b>Receiver</b>							
Operating Data Rate	B	9.9		10.5	Gb/s		
Receiver Sensitivity	R			-14.4	dBm	2	
Receiver Sensitivity (OMA)@10.5Gb/s	R <sub>SENS</sub>			-12.6	dBm	2	
Maximum Input Power	P <sub>MAX</sub>	+0.5			dBm	2	
Optical Center Wavelength	λ <sub>C</sub>	1260		1600	nm		
Receiver Reflectance	R <sub>rx</sub>			-12	dB		
LOS De-Assert	LOSD			-15	dBm		
LOS Assert	LOSA	-25			dBm		
LOS Hysteresis		1			dB		

**Notes:**

1. The optical power is launched into SMF.
2. Measured with a PRBS 2<sup>31</sup>-1 test pattern @10.3125Gbps BER<10<sup>-12</sup>.

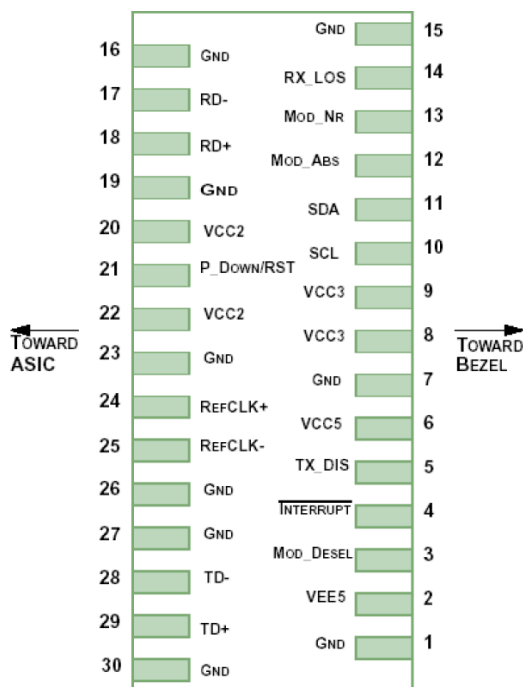
**Absolute Maximum Ratings:**

Parameter	Symbol	Min	Max	Unit
Storage Temperature	T <sub>ST</sub>	-40	+85	°C
Operating Temperature	T <sub>IP</sub>	-5	+70	°C
Supply Voltage 1	V <sub>CC3</sub>	-0.5	+4.0	V
Supply Voltage 1	V <sub>CC5</sub>	-0.5	+6.0	V

**Recommend Operation Environment:**

Parameter	Symbol	Min	Typical	Max	Unit
Supply Voltage 1	V <sub>CC</sub>	+3.1	3.3	+3.5	V
Supply Voltage 1	V <sub>CC</sub>	+4.75	5.0	+5.25	V
Operating Temperature	T <sub>OP</sub>	-5	-	+70	°C

**Pin Assignment:**



**Diagram of Host Board Connector Block Pin Numbers and Name**

**Pin Description:**

Pin	Logic	Symbol	Name/Description	Ref.
1		GND	Module Ground	1
2		VEE5	Optional -5.2 Power Supply – Not required	
3	LVTTL-I	Mod-Desel	Module De-select; When held low allows the module to , respond to 2-wire serial interface commands	
4	LVTTL-O	Interrupt	Interrupt (bar); Indicates presence of an important condition which can be read over the serial 2-wire interface	2
5	LVTTL-I	TX_DIS	Transmitter Disable; Transmitter laser source turned off	
6		VCC5	+5 Power Supply	
7		GND	Module Ground	1
8		VCC3	+3.3V Power Supply	
9		VCC3	+3.3V Power Supply	
10	LVTTL-I	SCL	Serial 2-wire interface clock	2
11	LVTTL- I/O	SDA	Serial 2-wire interface data line	2
12	LVTTL-O	Mod_Abs	Module Absent; Indicates module is not present. Grounded in the module.	2
13	LVTTL-O	Mod_NR	Module Not Ready;	2
14	LVTTL-O	RX_LOS	Receiver Loss of Signal indicator	2
15		GND	Module Ground	1
16		GND	Module Ground	1
17	CML-O	RD-	Receiver inverted data output	
18	CML-O	RD+	Receiver non-inverted data output	
19		GND	Module Ground	1
20		VCC2	+1.8V Power Supply – Not required	
21	LVTTL-I	P_Down/RST	Power Down; When high, places the module in the low power stand-by mode and on the falling edge of P_Down initiates a module reset Reset; The falling edge initiates a complete reset of the module including the 2-wire serial interface, equivalent to a power cycle.	
22		VCC2	+1.8V Power Supply – Not required	
23		GND	Module Ground	1
24	PECL-I	RefCLK+	Reference Clock non-inverted input, AC coupled on the host board – Not required	3
25	PECL-I	RefCLK-	Reference Clock inverted input, AC coupled on the host board – Not required	3
26		GND	Module Ground	1
27		GND	Module Ground	1
28	CML-I	TD-	Transmitter inverted data input	
29	CML-I	TD+	Transmitter non-inverted data input	
30		GND	Module Ground	1

**Note**

1. Module circuit ground is isolated from module chassis ground within the module.
2. Open collector; should be pulled up with 4.7k – 10k ohms on host board to a voltage between 3.15V and 3.6V.
3. A Reference Clock input is not required .

**Digital Diagnostic Functions:**

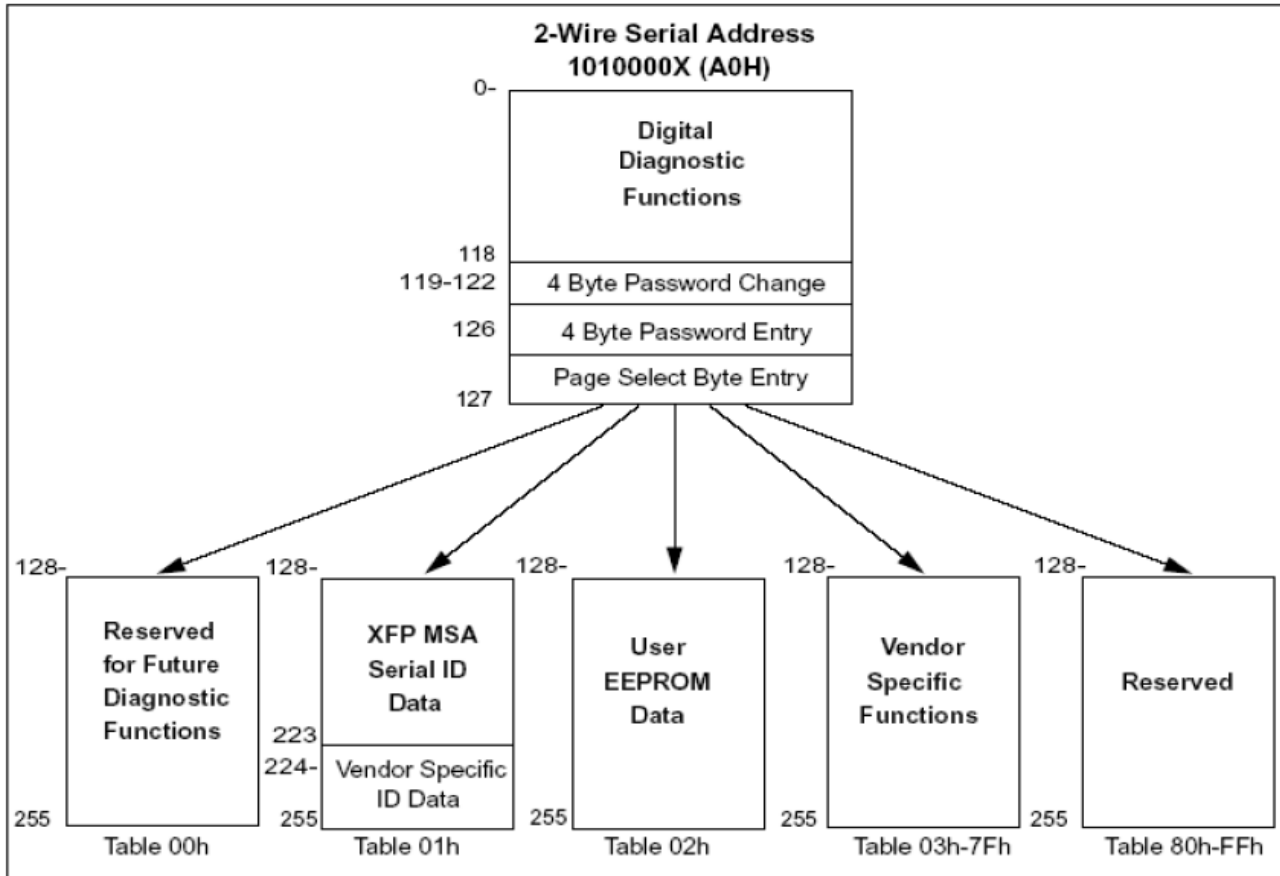
As defined by the XFP MSA 1 , PeakOptical®'s XFP transceivers provide digital diagnostic functions via a 2-wire serial interface, which allows real-time access to the following operating parameters:

- Transceiver temperature
- Laser bias current
- Transmitted optical power
- Received optical power
- Transceiver supply voltage

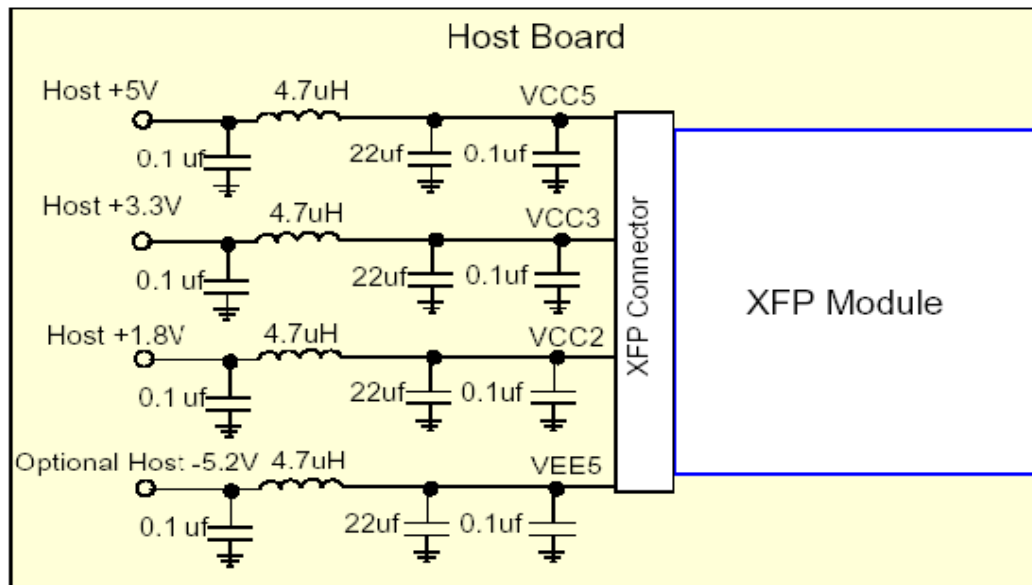
It also provides a sophisticated system of alarm and warning flags, which may be used to alert end-users when particular operating parameters are outside of a factory-set normal range.

The operating and diagnostics information is monitored and reported by a Digital Diagnostics Transceiver Controller (DDTC) inside the transceiver, which is accessed through the 2-wire serial interface. When the serial protocol is activated, the serial clock signal (SCL pin) is generated by the host. The positive edge clocks data into the XFP transceiver into those segments of its memory map that are not write-protected. The negative edge clocks data from the XFP transceiver. The serial data signal (SDA pin) is bi-directional for serial data transfer. The host uses SDA in conjunction with SCL to mark the start and end of serial protocol activation. The memories are organized as a series of 8-bit data words that can be addressed individually or sequentially. The 2-wire serial interface provides sequential or random access to the 8 bit parameters, addressed from 000h to the maximum address of the memory.

For more detailed information including memory map definitions, please see the XFP MSA Specification.

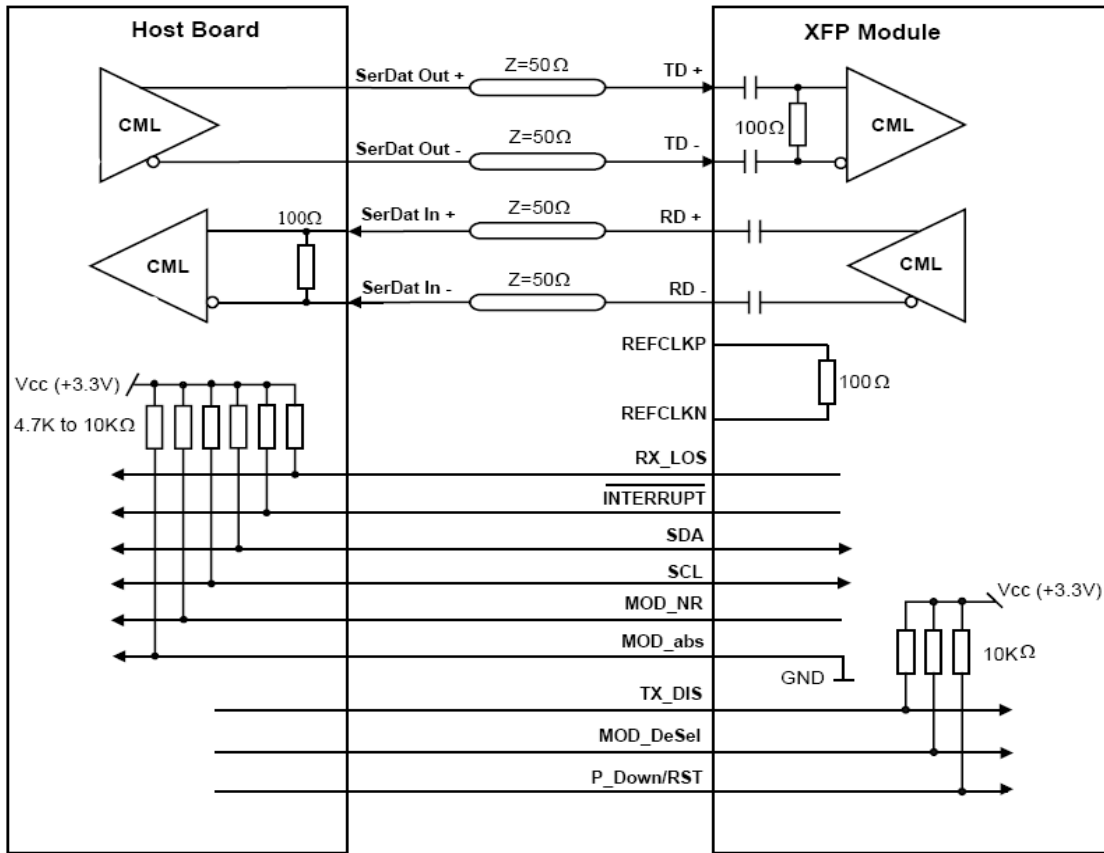


**Recommended Circuit:**



**Recommended Host Board Power Supply Circuit**

**10Gb/ Hot Pluggable XFP Transceiver**  
**1310nm, DFB-LD, Duplex LC,**  
**Single Mode, 10 km**  
**PXFP-2321SF**

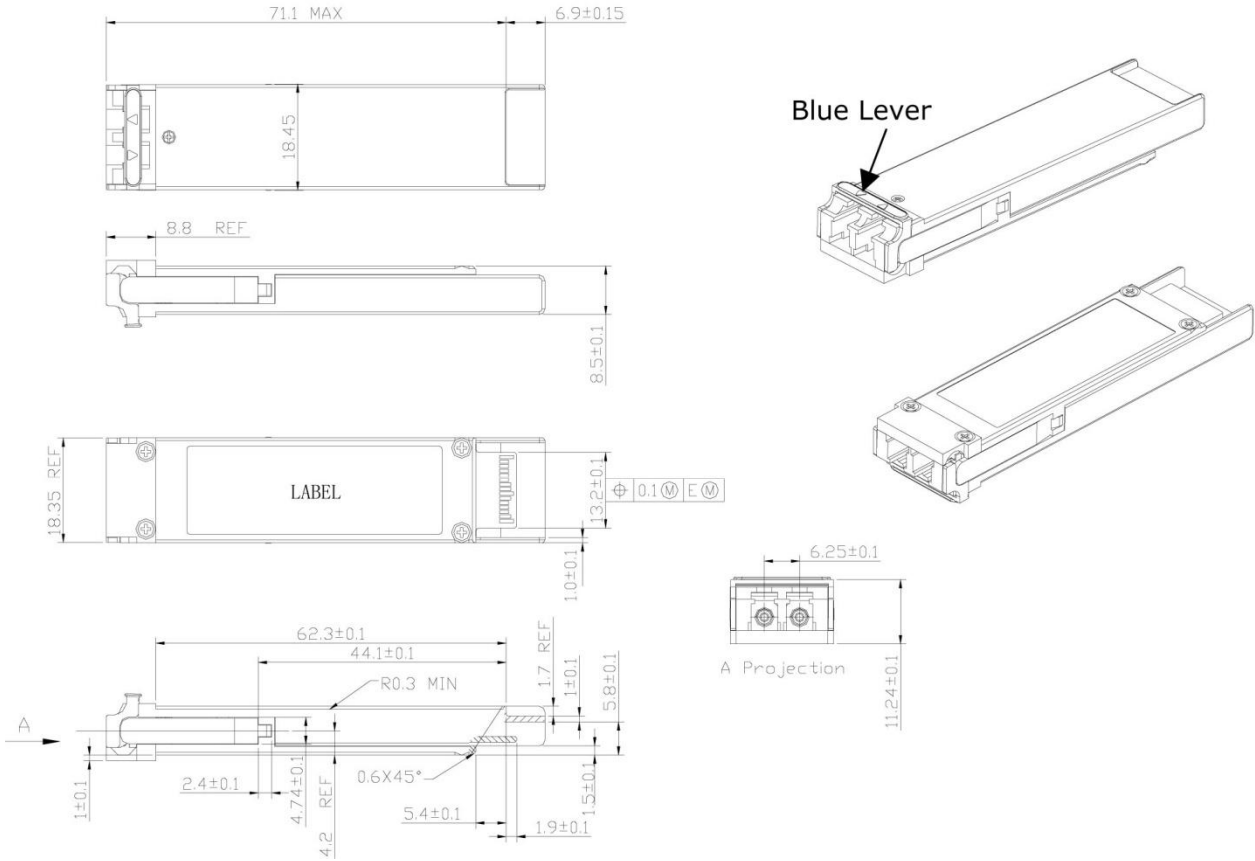


**Recommended High-speed Interface Circuit**



**10Gb/ Hot Pluggable XFP Transceiver**  
**1310nm, DFB-LD, Duplex LC,**  
**Single Mode, 10 km**  
**PXFP-2321SF**

**Mechanical Dimensions:**



All rights reserved, including intellectual property rights. Technical data subject to modifications and delivery subject to availability. Any liability that the data and illustrations are complete, actual or correct is excluded. Designations may be trademarks and/or copyrights of the respective manufacturer, the use of which by third parties for their own purposes may infringe the rights of such owner.